

KOKUSAI DENKI

COMPACT HDTV COLOR CAMERA KP-HD20AW **2MPIX**



Transmit up to 300 meters with a single coaxial cable using a dedicated MULTI-UNIT



Features

- **Compact Body suitable for Small Space**

Effective size for narrow or limited space: Dimensions; 44mm(w) × 44mm(H) × 57.5mm(D), Weight; approx. 150g.

- **High-Definition Color Video**

KOKUSAI DENKI's Broadcasting Camera Technology enables Full HD 2MPix resolution

- **Multi format outputs available**

SDI :1080p 59.94/50, 1080i 59.94/50, 1080p 29.97/25 VBS output NTSC/PAL

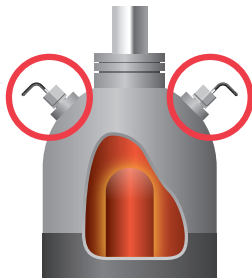
- **Can be observed and monitored from a distance**

Long-distance transmission up to 300m is possible when combined with separately sold MULTI-UNIT (not supported 1080p 59.94/50)

DC power source can be superimposed and transmitted using a single coaxial cable, and four-screen display is also available.

Narrow space installation, to active in visualization

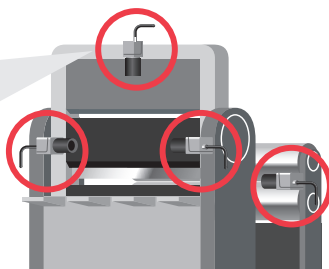
Furnace condition



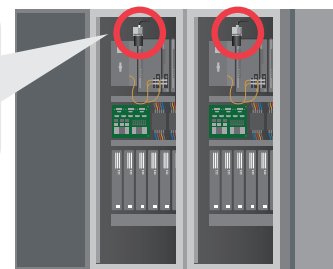
Microscopic examination



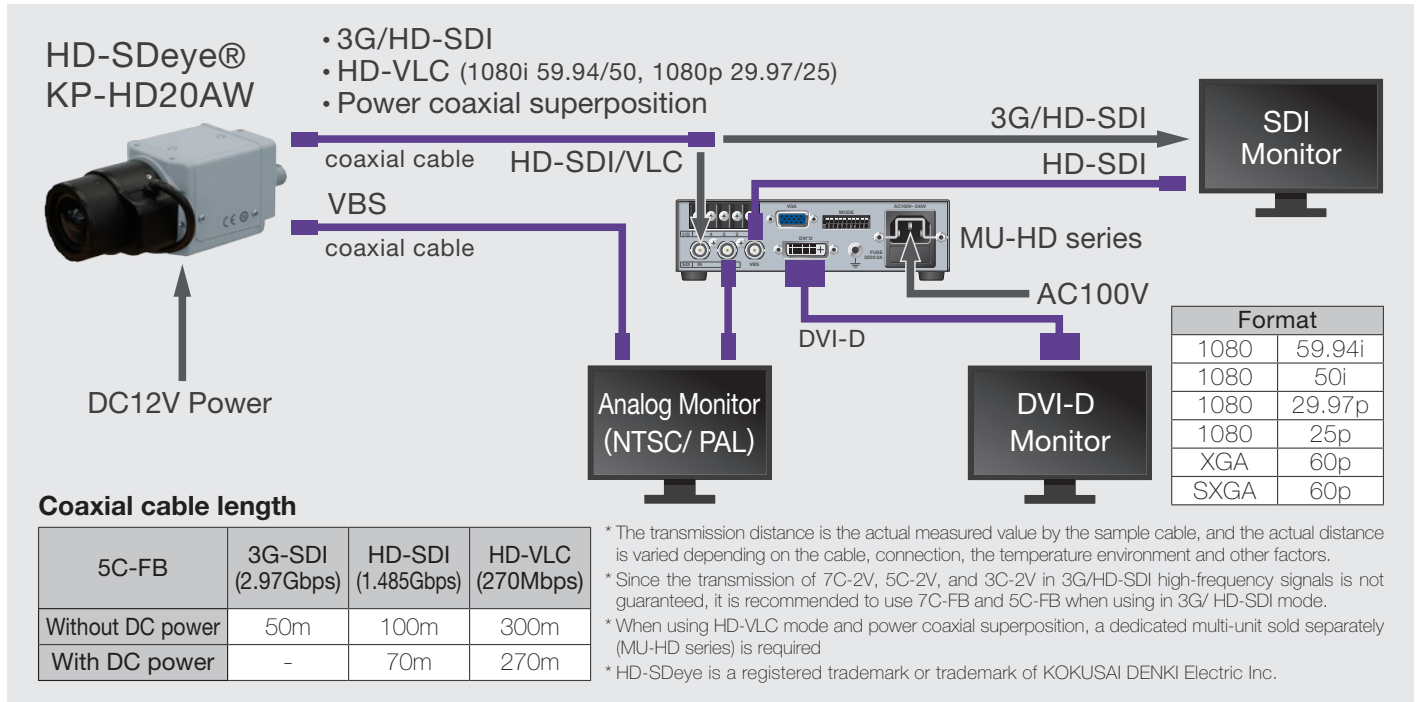
Equipment conditions



Detect abnormal condition



■ System configuration



■ Specifications

Items	Specifications
Imaging Method	HDTV(16:9) 1080 59.94p/50p
Imaging Sensor	1/2.8-inch CMOS(RGB Color Bayer)
Number of Pixels	2M Pixels
Effective Pixels	1936(H) x 1100(V)
Video Signal Output	SDI out 0.8Vp-p/75Ω BNC • 3G-SDI 1080p 59.94/50 • HD-SDI 1080i 59.94/50, 1080p 29.97/25 • HD-VLC 1080i 59.94/50, 1080p 29.97/25 *HD-VLC require a dedicated MULTI -UNIT MU-HD series -(sold separately). Dedicated MULTI -UNIT does not support 3G-SDI. VBS out 1.0Vp-p/ 75Ω BNC • NTSC/ PAL
Mini. Subject Illumination	0.03lx (F1.2, AGC: 66dB, Gamma: High)
AGC	PRESET GAIN (0 to 66dB :1dB step setting available) AGC LIMIT (Max. Gain : 0 to 66dB :1dB step setting available)
Shutter Speed	1/30(1/25), 1/60(1/50), 1/100, 1/250, 1/500, 1/1,000, 1/2,000, 1/5,000, 1/10,000, 1/15,000(1/12,500), 1/37,500(1/31,250), 1/75,000(1/62,500), AES, AES[1/30(1/25)] *() is for PAL setting. AES&LENS[1/1,000], AES&LENS[1/2,000], AES&LENS[1/5,000] VARIABLE 1/30.04~1/75,000 (PAL:1/25.04~1/62,500)
Light Intensity Control	AVERAGE/ PEAK: Selectable
White Balance Control	Auto/ Preset/ Manual
Remote Control	RS-232C
Lens Mount	CS/ C Mount (C Mount adapter: sold separately)
Dimensions	Approx. 44(W) x 44(H) x 57.5(D)mm (excluding lens, protrusions)
Mass	Approx. 150g±10% (excluding lens.)
Power Consumption	DC12V±10%/Power Supply superposition with the dedicated Multi-Unit (DC24V) approx. 5.16W
Operation Temp/ Humidity	Atmospheric Temperature: -10°C ~ +50°C Humidity: 30 ~ 80%RH :No Condensation

This product shall be proceeded in necessary steps under applicable export control laws and regulations before shipment. These specifications are subject to change without notice. All other trademarks are the property of their respective owners.

⚠ CAUTION : To ensure safe operation, please read the instruction manual before using this product.

KOKUSAI DENKI Electric Inc.

URL : <https://www.kokusaidenki.co.jp/global/en/index.html>
 32, Miyuki-cho, kodaira-shi, Tokyo 187-8511, Japan
 Phone : +81-42-322-3111, Fax : +81-42-322-3303

KOKUSAI DENKI Electric Asia Pte. Ltd.

URL: <https://www.kokusaidenki.com.sg>
 9 Tampines Grande, Asia Green, #02-00,
 Singapore 528 735
 Phone : +65-6911-6794

KOKUSAI DENKI Electric America, Inc.

URL: <https://www.kokusaidenki.us>

Headquarters

104 Feeding Hills Road Southwick, MA 01077, U.S.A.
 Toll Free : +1 (833) 227-1658,
 Phone : +1 (669) 207-5038

West Office

11258 Monarch Street, Unit H
 Garden Grove, CA 92841, U.S.A.

West Sales

Phone : +1 (516) 682-4448

East Sales

Phone : +1 (516) 682-4445

Midwest Sales

Phone : +1 (516) 682-4450

KOKUSAI DENKI Electric Europe GmbH

URL : <https://www.kokusaidenki.eu>

Frankfurt Head Office

Siemensstr. 9, D-63263 Neu-Isenburg, Germany
 Phone : +49 (0) 6102-8332-0, Fax : +49 (0) 6102-8332-499

London Office

Orion House, Bessemer Road, Welwyn Garden City, Herts,
 AL7 1HH, UK
 Phone : +44 (0) 7808 330195

KOKUSAI DENKI Electric Linear S/A

URL : <https://www.kokusaidenki.com.br>

Avenida Frederico de Paula Cunha, 1001 - Maristela
 Santa Rita do Sapucaí - MG - Brasil - CEP: 37540-000
 Phone : +55 (35) 3473-3473, Fax : +55 (35) 3473-3474