

KOKUSAI DENKI

Full HD 3G / HD-SDI Camera KP-HD3005G

Full HD / Global Shutter CMOS / 0.0001 lux / NIR Sensor



Rear Panel

- By adopting the global shutter CMOS sensor, distortion due to the movement of the camera or subject does not occur.
- Achieves high sensitivity with a minimum subject illuminance of 0.0001 lux by adopting high-sensitivity CMOS of 2/3 type (effective pixel area: 1 / 1.58 type).
- By adopting C (CS) mount, it is possible to select the lens according to the application.
- Smooth enlargement up to 4x with digital zoom function (applies only to the center of the image).
- Equipped with a pixel defect correction function for users.
- The Defog function clearly expresses hazy images.
- Clean specifications of the imaging surface compatible with 60x zoom lenses.

Global Shutter

Global shutter does not distort the image due to the movement of the subject like rolling shutter.



Rolling Shutter



Global Shutter

Motion Stabilizer

Motion Stabilizer (with optional VG-2000PCB)
2000mm Zoom Lens x60 Zoom.



OFF



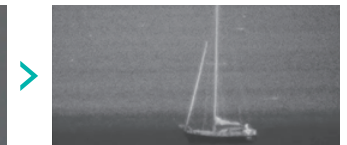
ON

Fog & Smoke Reduction

Adaptive Defog. B&W with Visible Cut (Lens Option)
Filter allows camera to see through fog in real time.



OFF



ON

Real Time Heat Haze Correction

Heat & Haze correction, 2000mm Zoom Lens
x60 Zoom (with optional VG-2000PCB).



OFF



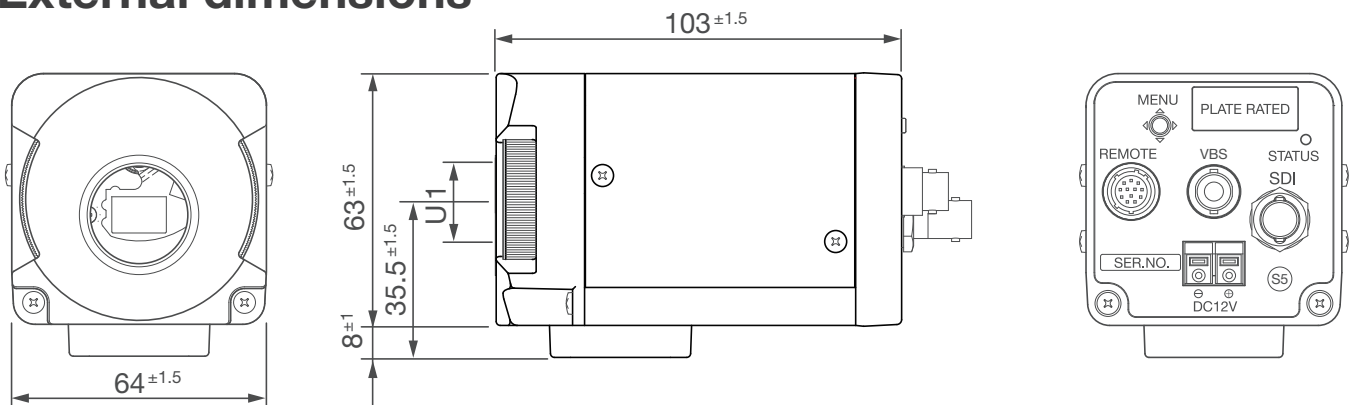
ON

Main Specifications

KP-HD3005G	
Imaging Device	2/3 inch CMOS (RGB Bayer color) Effective Area: 1/1.58 inch
Total pixels	1944(H) X 1496(V) 2.91M pixels
Effective pixels	1944(H) X 1096(V) 2.13M pixels
Imaging System	Progressive 59.94fps/50fps
Sync system	Internal
Video output	3G-SDI (SMPTE424M) & HD-SDI (SMPTE292M) & Analog VBS (selectable PAL or NTSC)
Video format	3G-SDI: 1080 59.94p/50p, HD-SDI: 29.97p/25p
Minimum illumination	Color: 0.015 lux (F1.2 AGC: 75dB, Gamma: High, SENS UP OFF, Shutter: 1/60) B&W: 0.0001 lux (F1.2 AGC: 75dB, Gamma: High, SENS UP OFF, Shutter: 1/60)
S/N ratio	More than 60dB
Resolution	Horizontal resolution more than 800 lines TV lines

OPERATIONAL	
AGC	OFF / Auto (Max Gain 75dB: When Defog is OFF, Max Gain 42dB: When Defog is AUTO)
Electronic shutter	OFF / AES / Manual (1/60 to 1/10000 sec)
Electronic sensitivity (SENS UP)	OFF / Auto (Max 30[25] times) / Manual (2 to 30[25] times)
Defog	OFF / Auto / Auto-High
Day & Night (W/B switching)	COLOR / B&W / Auto (ICR)
Light Control	OFF / ON (photometry area with ROI capability)
White Balance	Auto / One Push / Manual: Normal (2500K-8000K), Special (2300K-10000K)

External dimensions



These Specifications are subject to change without notice.

CAUTION : To ensure safe operation, please read the instruction manual before using this product.

KOKUSAI DENKI Electric Inc.

URL : <https://www.kokusaidenki.co.jp/global/en/index.html>
32, Miyuki-cho, Kodaira-shi, Tokyo 187-8511, Japan
Phone : +81-42-322-3111, Fax : +81-42-322-3303

KOKUSAI DENKI Electric Asia Pte. Ltd.

URL : <https://www.kokusaidenki.com.sg>
9 Tampines Grande, Asia Green, #02-00, Singapore 528 735
Phone : +65-6911-6794

KOKUSAI DENKI Electric America, Inc.

URL : <https://www.kokusaidenki.us>
Headquarters
104 Feeding Hills Road Southwick, MA 01077, U.S.A.
Toll Free : +1 (833) 227-1658,
Phone : +1 (669) 207-5038

West Office
11258 Monarch Street, Unit H
Garden Grove, CA 92841, U.S.A.

West Sales Phone : +1 (516) 682-4448
East Sales Phone : +1 (516) 682-4445
Midwest Sales Phone : +1 (516) 682-4450

KOKUSAI DENKI Electric Europe GmbH

URL : <https://www.kokusaidenki.eu>
Frankfurt Head Office
Siemensstr. 9, D-63263 Neu-Isenburg, Germany
Phone : +49 (0) 6102-8332-0, Fax : +49 (0) 6102-8332-499

London Office
Orion House, Bessemer Road, Welwyn Garden City, Herts, AL7 1HH, UK
Phone : +44 (0) 7808 330195

KOKUSAI DENKI Electric Linear S/A

URL : <https://www.kokusaidenki.com.br>
Avenida Frederico de Paula Cunha, 1001 - Maristela
Santa Rita do Sapucaí - MG - Brasil - CEP: 37540-000
Phone : +55 (35) 3473-3473, Fax : +55 (35) 3473-3474